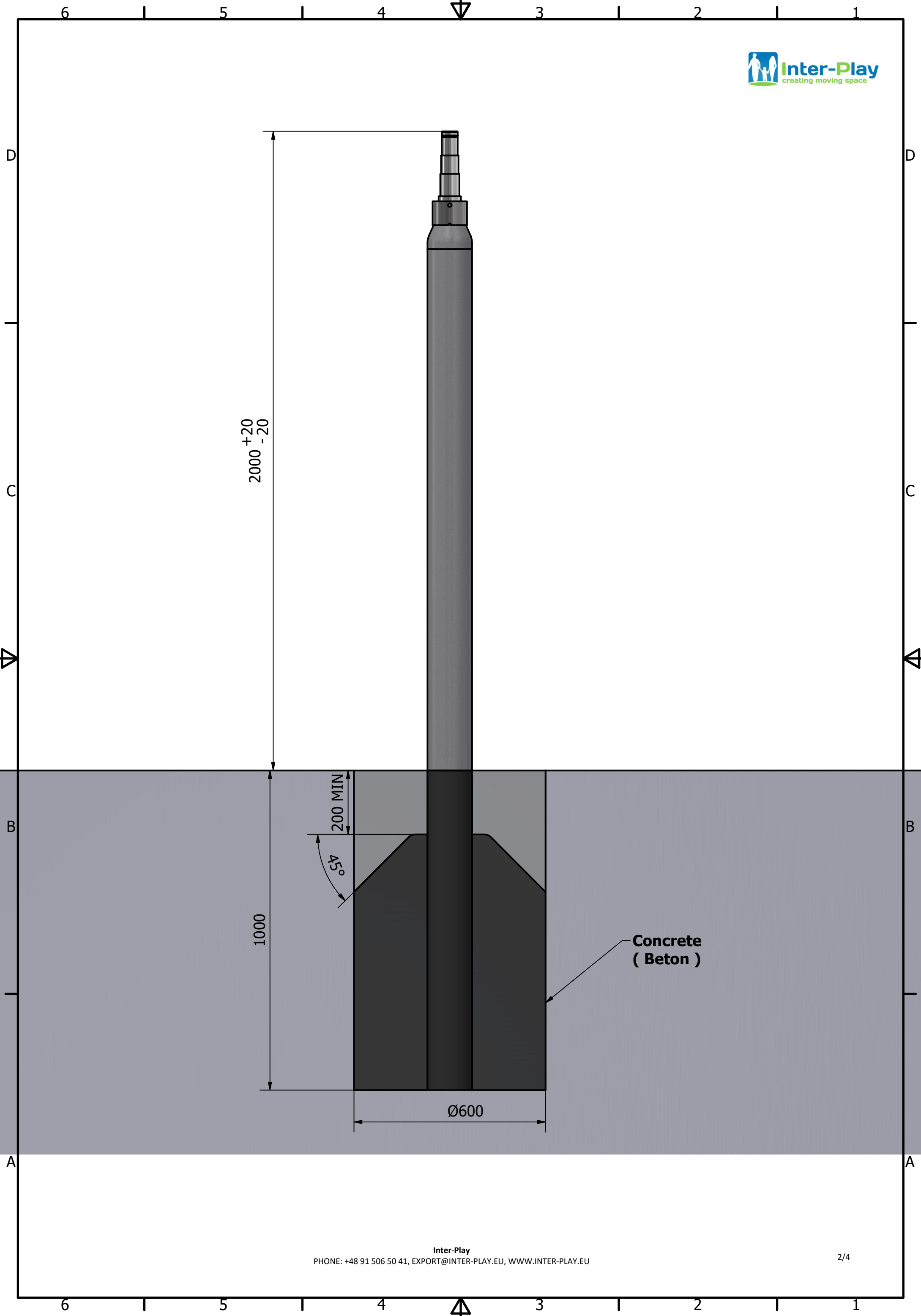


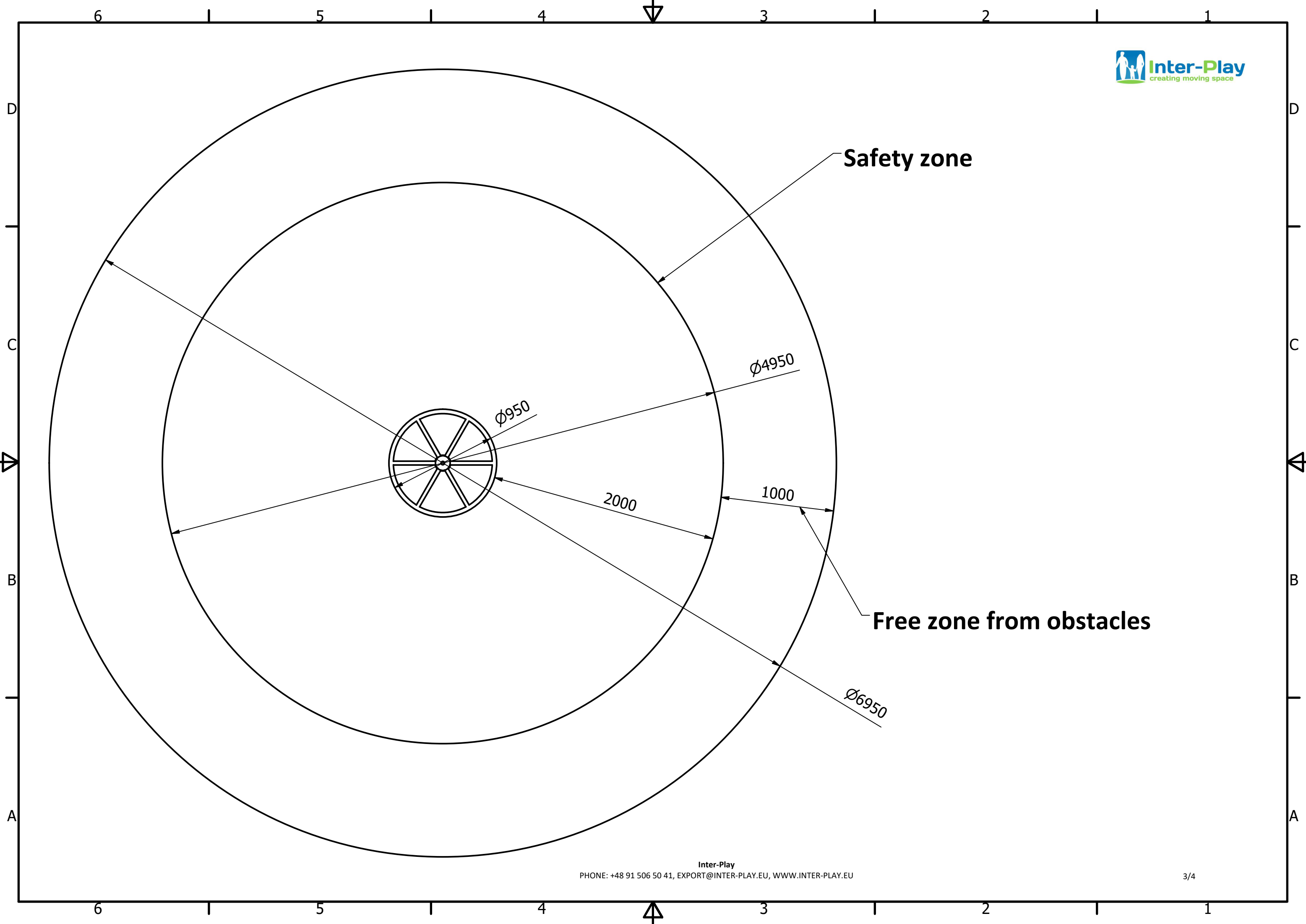
# Installation guide

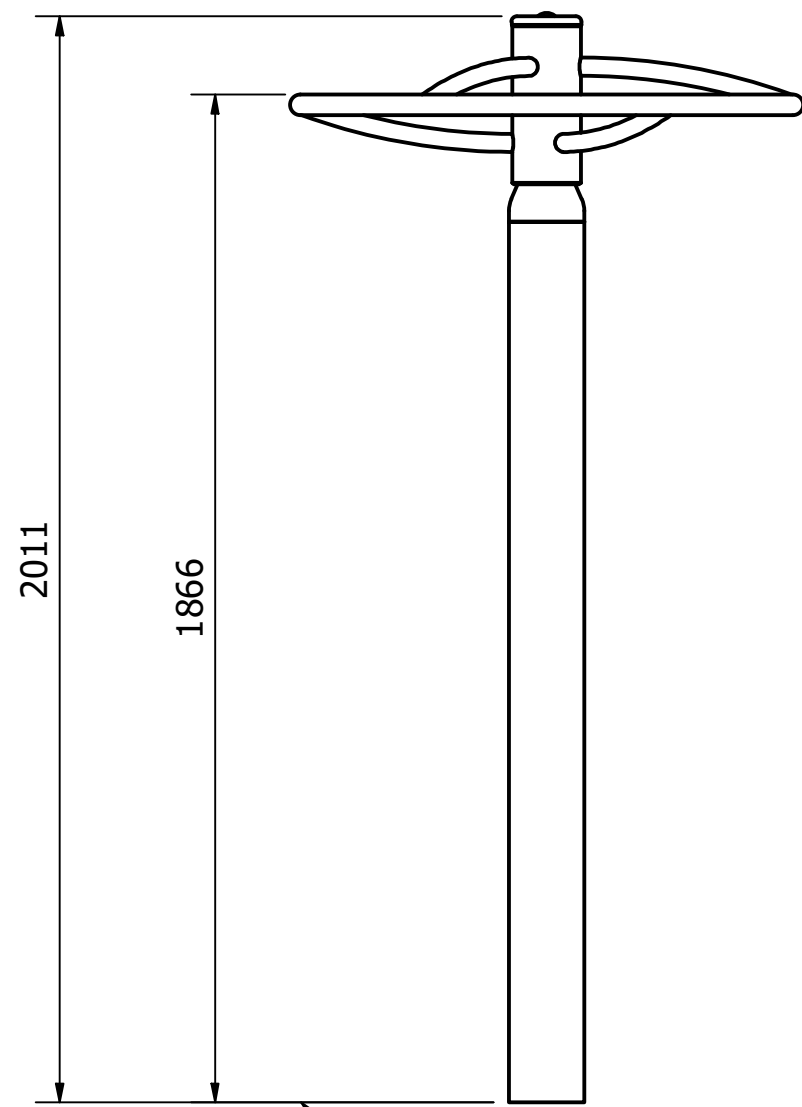
## BURAN

**Code: GM-RO-153**

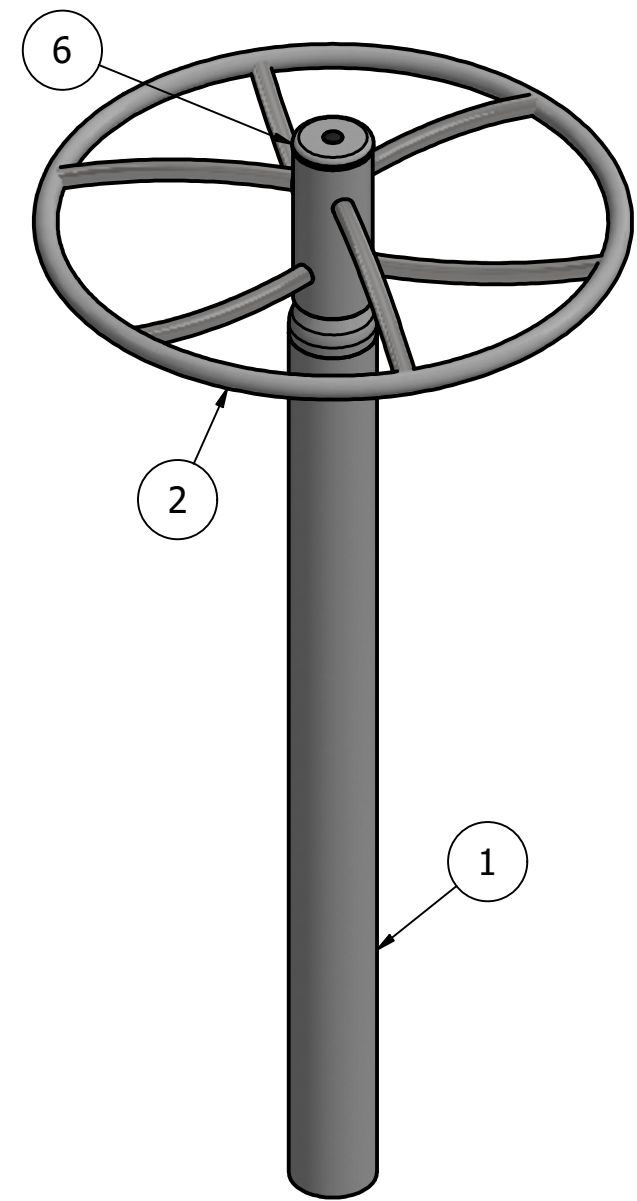
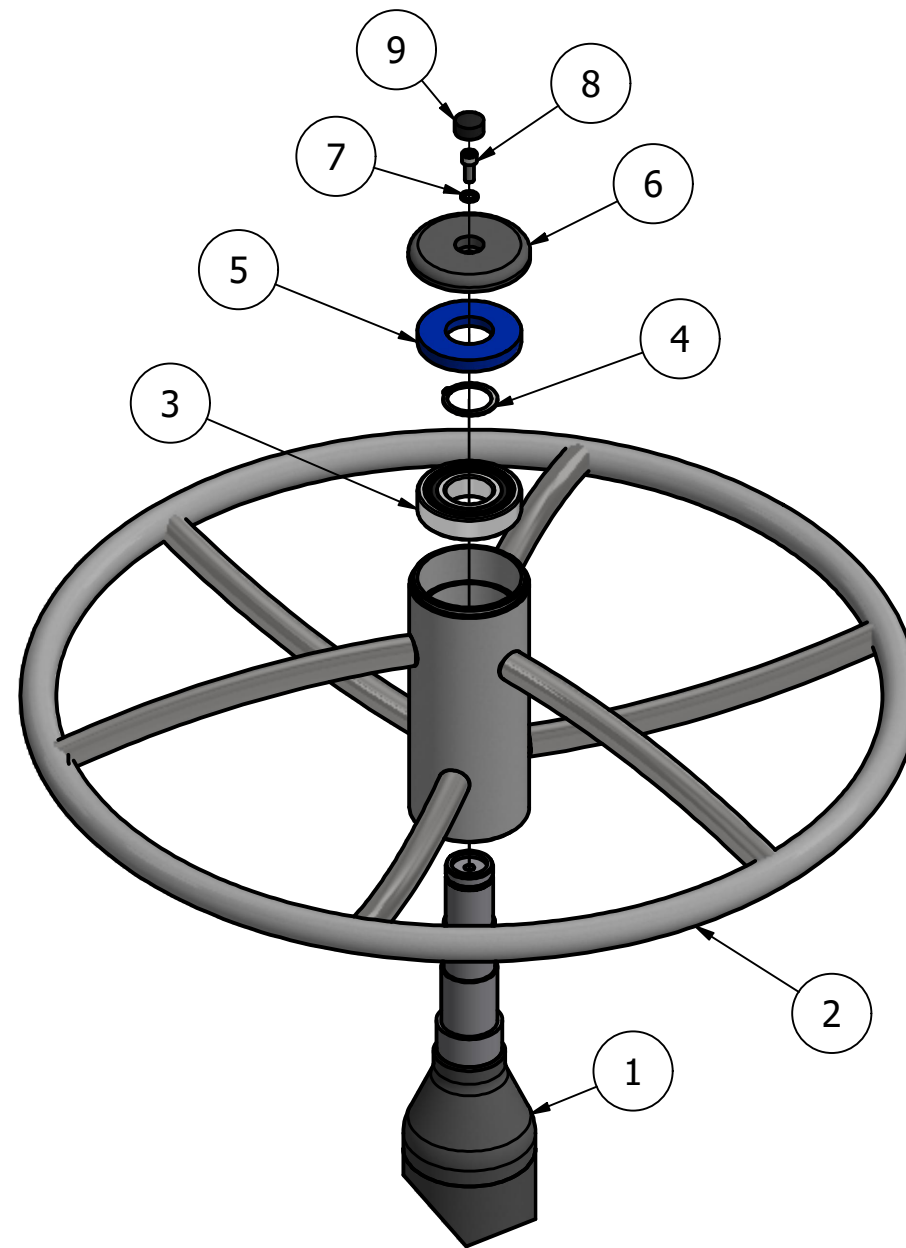
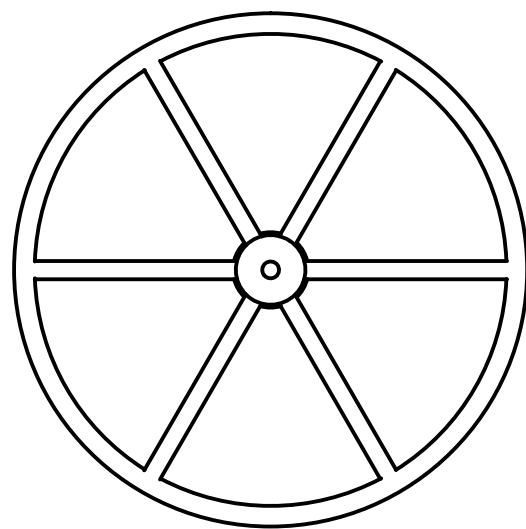








Ground level



List of parts			
Element	Quantity	No of parts	Description
1	1	57-F	Pillar foundation assembly
2	1	57-K51	Pillar 0751 with bearings
3	1	6310-2RS1	Ball bearing
4	1	PN-81/M-85111 - Z50	Seger's Ring
5	1	110x50x15 DIN3760	Sealant - Simmering
6	1	57-NS	Pillar cap
7	1	A10 DIN 128	Spring washer
8	1	ISO 4762 - M10 x 25	Allen screw
9	1	TZ-PC	Cover with boltcover Polyfix